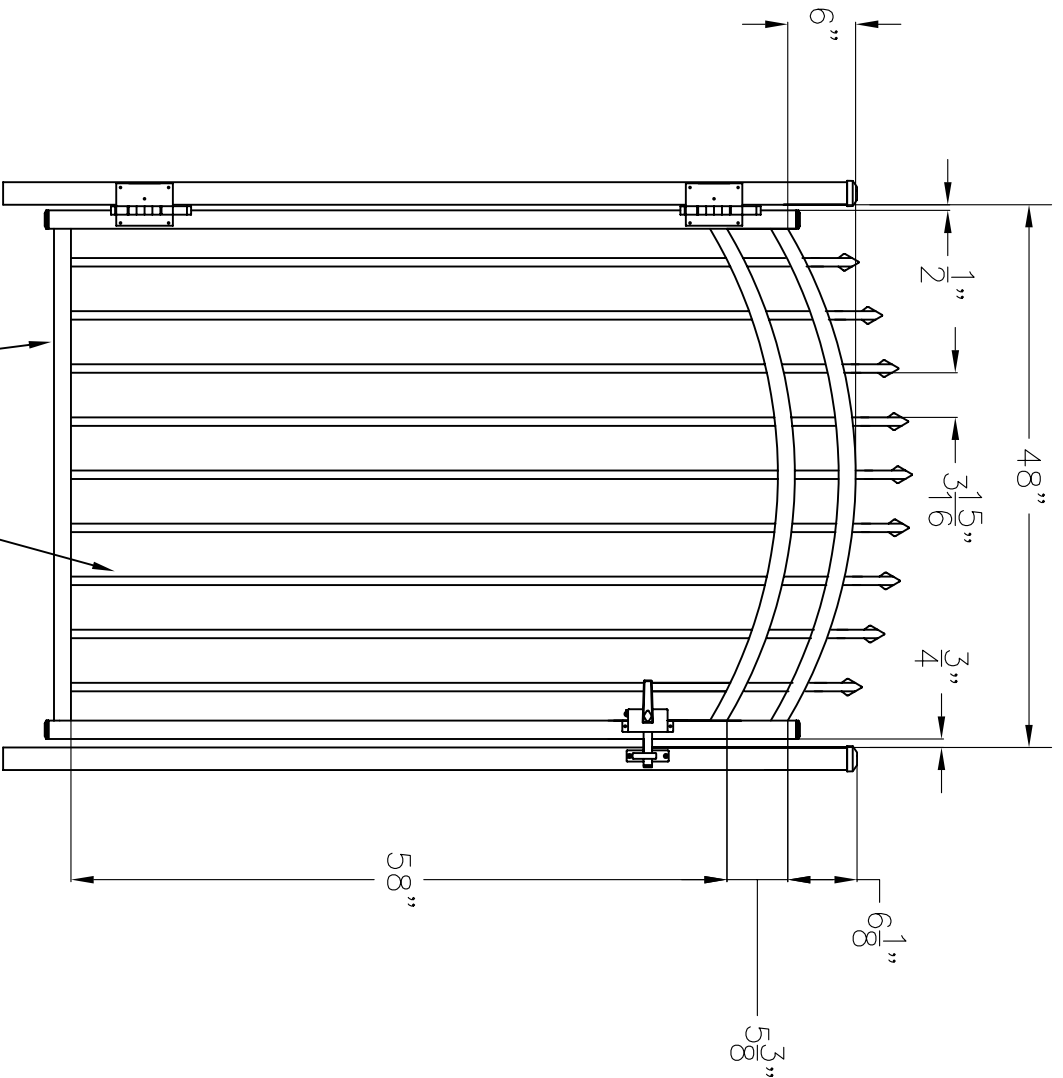


1-1/2" X 1-1/2" STRINGER

3/4" SQUARE PICKET



*Jerrith*  
 Manufacturing Co., Inc.  
 Philadelphia, PA 19154  
 (800)344-2242

**POOL ACCENT GATE**  
**STYLE BUCKINGHAM**  
**72" HIGH X 48" WIDE**

**BUCK72U48**

Date: September 2004  
 Copyright 2004  
 No part of this drawing  
 may be reproduced  
 without permission of  
 Jerrith Manufacturing Co., Inc.

Drawing No.