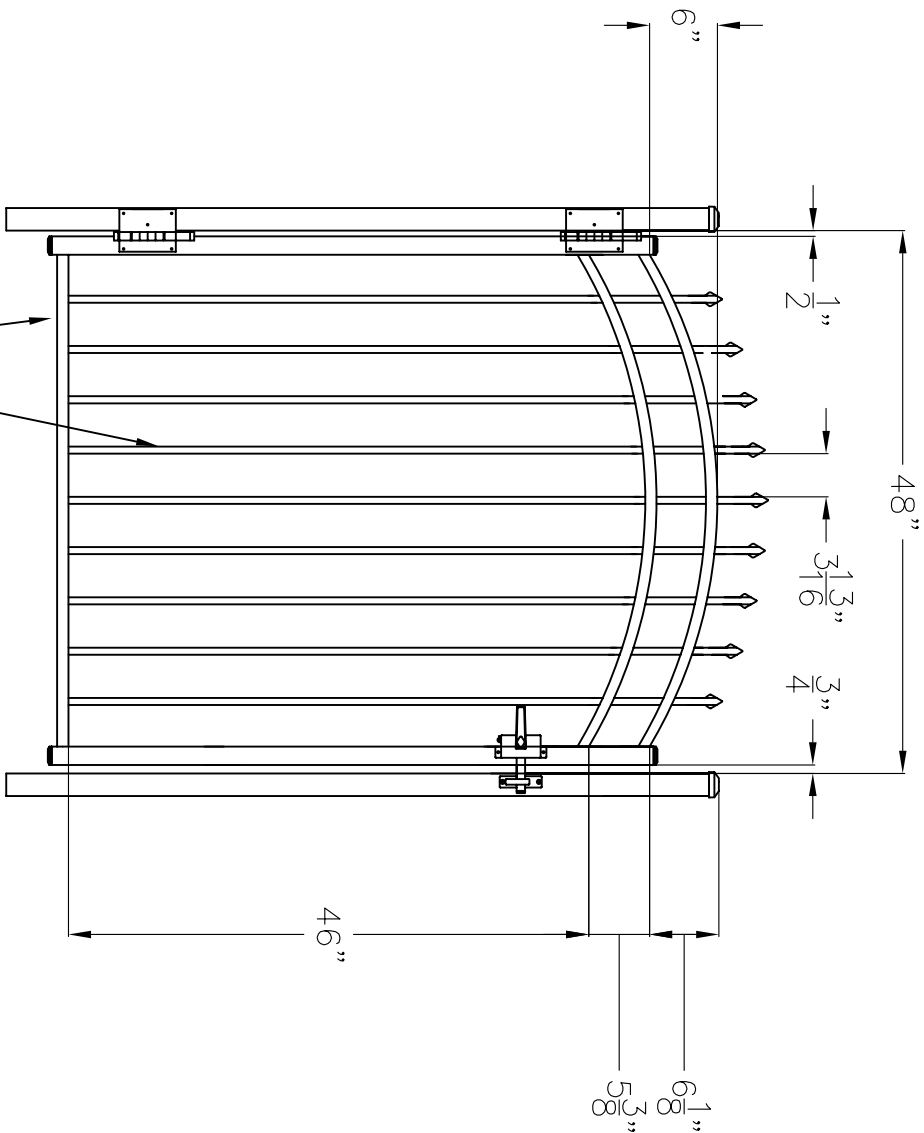


1" X 1-1/2" STRINGER

5/8" SQUARE PICKET



Jerrith
Manufacturing Co., Inc.
Philadelphia, PA 19154
(800)344-2242

Drawing
RESIDENTIAL ACCENT GATE
STYLE #101
57" HIGH X 48" WIDE

Date September 2004

Drawing No.

Copyright 2004
This drawing
may be
reproduced
without permission of
Jerrith Manufacturing Co., Inc.

RS57U10148