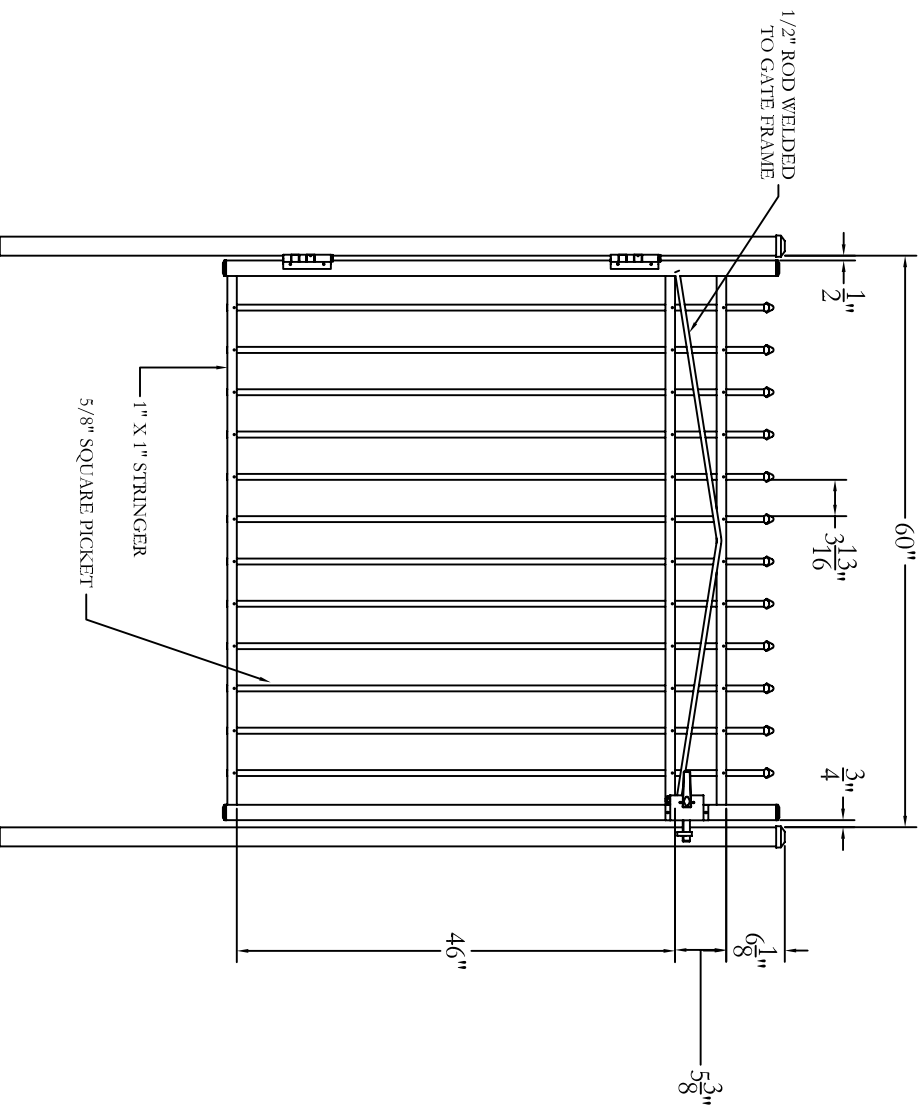
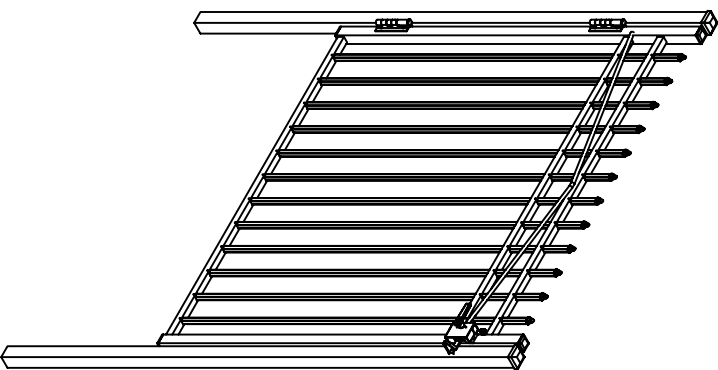


| DATE | BY | DESCRIPTION | REVISION | DATE | BY | APPROVED |
|------|----|-----------------|----------|------|----|----------|
| NC | NC | INITIAL RELEASE | | | | |



Jerth
 Manufacturing Co., Inc.
 Philadelphia, PA 19154
 (800) 344-2242

DRAWING:
 RESIDENTIAL GATE
 STYLE #101
 57" HIGH X 60" WIDE

| | | |
|-------|------------|--------|
| SIZE | DWG NO. | REV |
| D | RS57U10160 | NC |
| SCALE | DATE | SHEET |
| | 1-1-05 | 1 OF 1 |

© 2005. This drawing may not be altered or reproduced without the permission of Jerth Manufacturing Co., Inc.