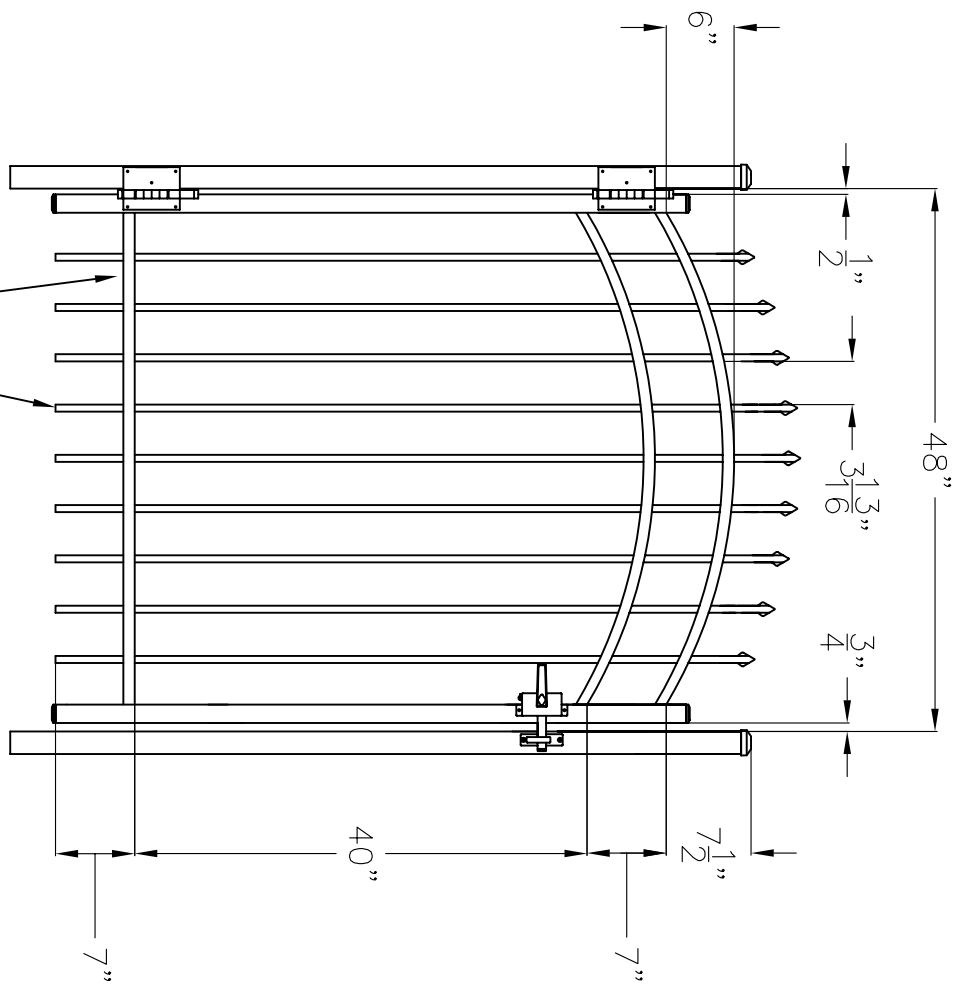


1" X 1-1/2" STRINGER  
 5" SQUARE PICKET



*Jerrith*  
 Manufacturing Co., Inc.  
 Philadelphia, PA 19154  
 (800)344-2242

Residential Accent Gate  
 Style #101  
 60" High X 48" Wide

Date: September 2004  
 Copyright 2004  
 Jerrith Manufacturing Co., Inc.  
 Drawing No. RS60U10148