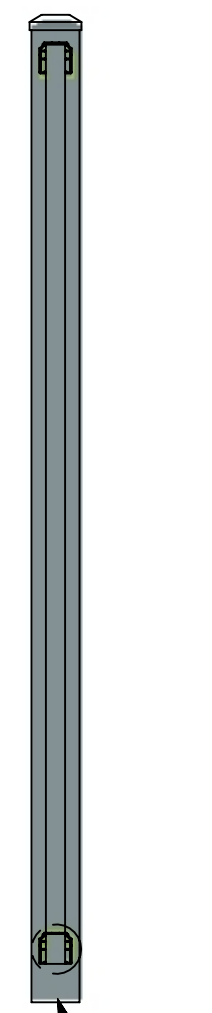
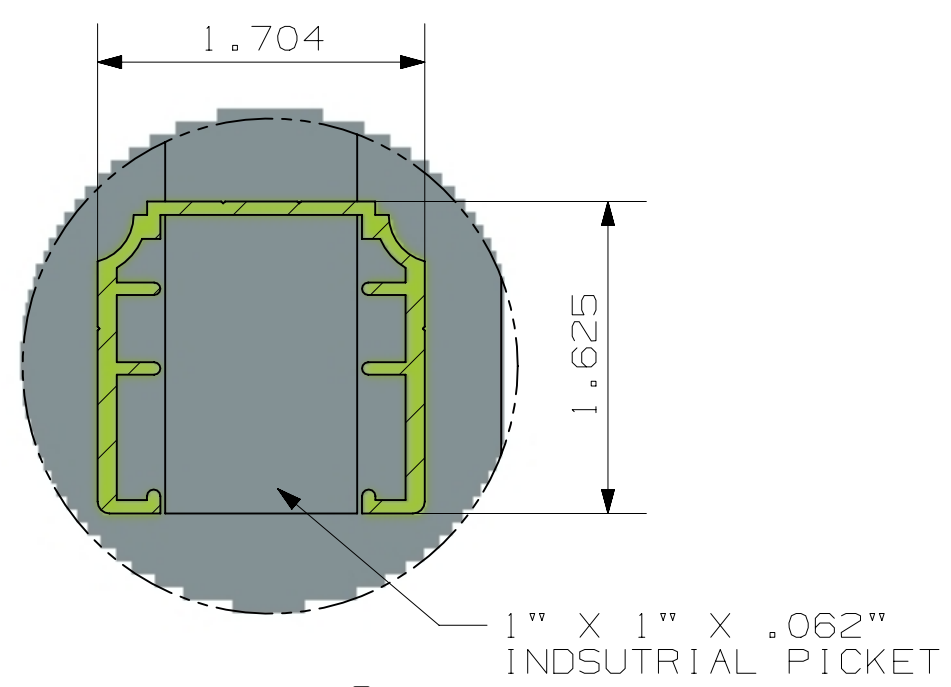
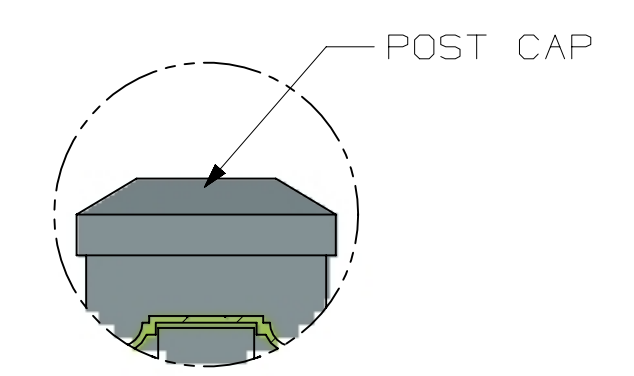
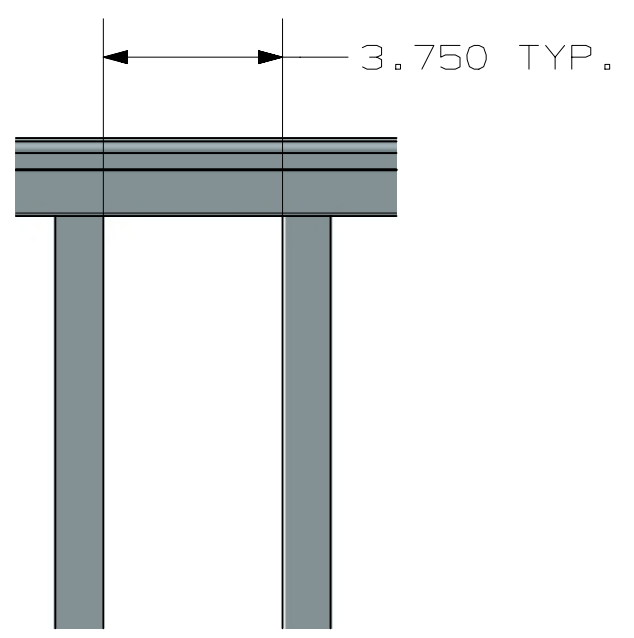


TOLERANCE	TAPE MEASURE ±1/16"	CALIPER ±.010"	DRAWING APPROVED	BOM ENTERED	ALLOY
OVERRIDDEN					COMMENTS

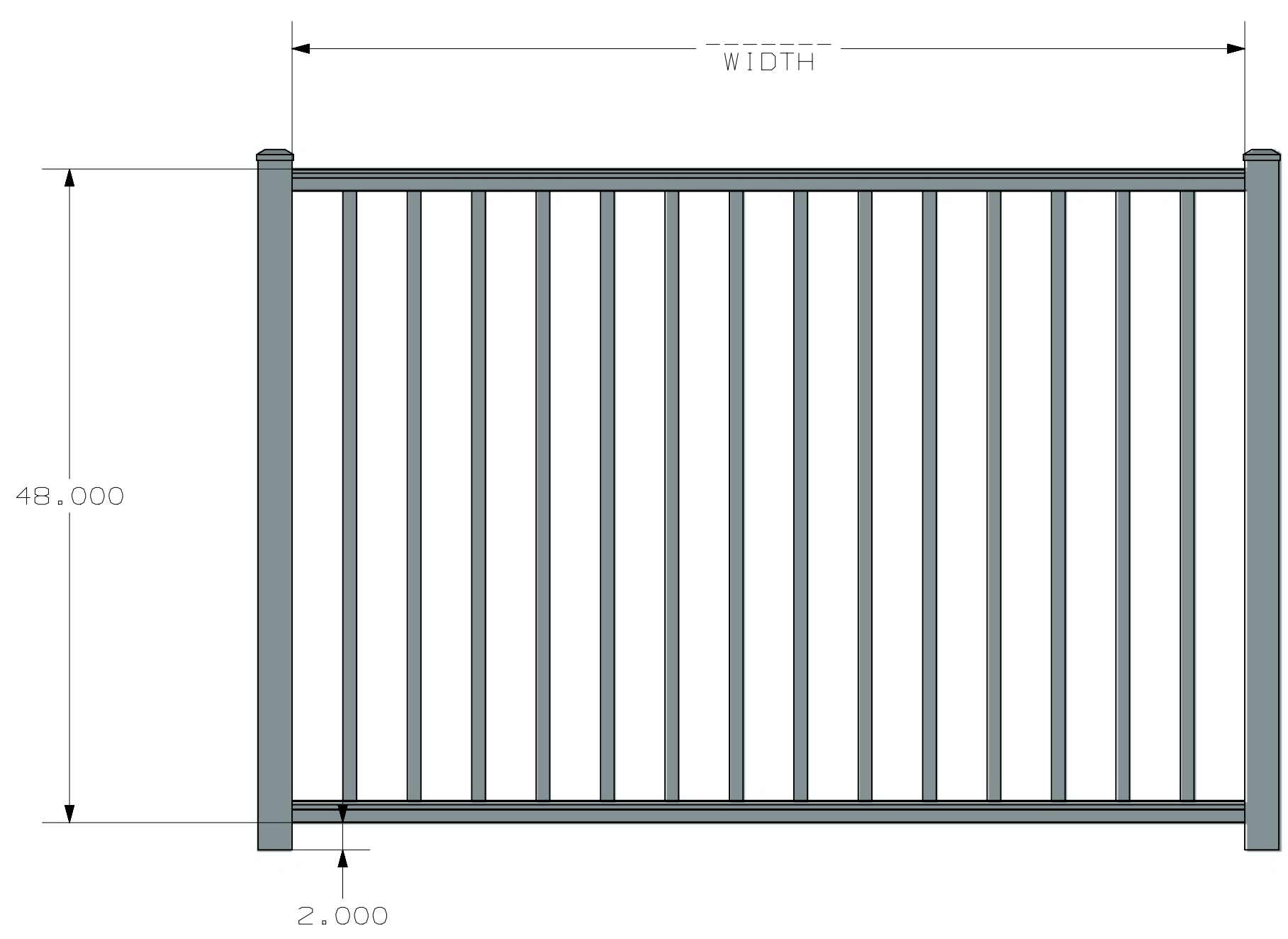
REV	NOTES

Aluminum-Fence.com
 An Outdoor Solutions Company Online Since 1996

888-348-4695



- POST OPTIONS
 2 1/2" X 2 1/2" X .100 WALL
 3" X 3" X .125" WALL
 4" X 4" X .125" WALL



DETAIL S
 SCALE 1:1

ULTRA ALUMINUM MANUFACTURING, INC
 2124 GRAND COMMERCE DR. HOWELL, MI 48855
 PHONE (800) 656-4420 FAX (800) 643-7426

	DATE	11-30-2023
	REV	2
	SHEET	1 OF 1

UAF - 200
 FLUSH BOTTOM
 INDUSTRIAL SHOP DRAWING
 2-RAIL

NOMINAL WIDTH	RAIL LENGTH
6'	71 1/2"
8'	100"

UAF-200 FLUSH BOTTOM INDUSTRIAL 6X4 2 RAIL

Signature™

ULTRA®
 LOUVERED PRIVACY

ULTRAMAX®

Defender™

ULTRA®
 VINYL PRIVACY

Estate Collection

ULTRA®
 ALUMINUM PRIVACY

ULTRARACK™