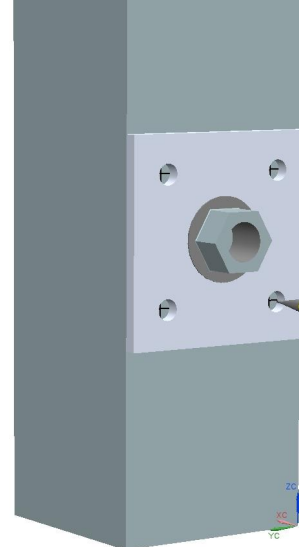
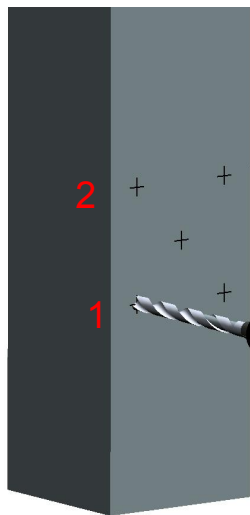


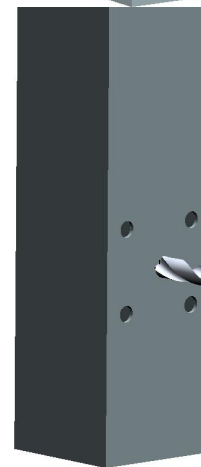
Determine mounting location for your Ultra Hinge



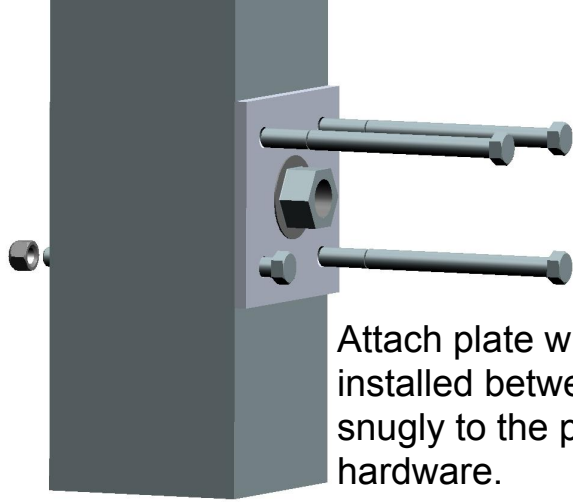
Mark center locations of all holes



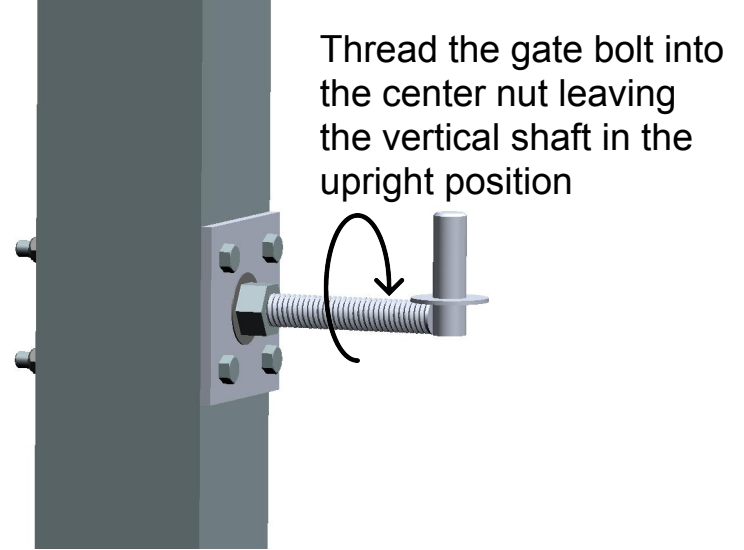
Drill clearance holes in the 4 corner through both faces of the post for  $\frac{3}{8}$ " bolt



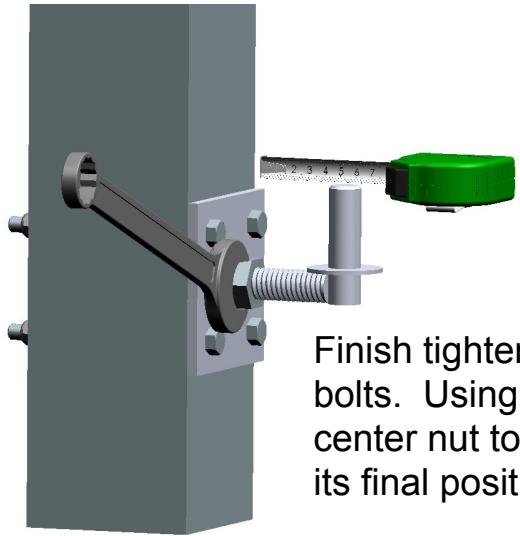
Drill clearance hole in center for  $\frac{3}{4}$ " hinge bolt on inside face only



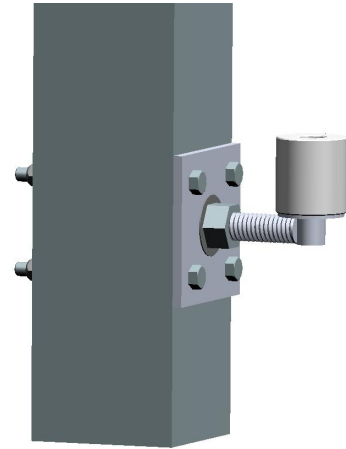
Attach plate with center nut installed between plate and post snugly to the post with applicable hardware.



Thread the gate bolt into the center nut leaving the vertical shaft in the upright position



Finish tightening the 4 corner bolts. Using a wrench, turn the center nut to adjust the gate bolt to its final position.



Slide on the supplied nylon bushing.

Repeat these steps for the rest of the plates.