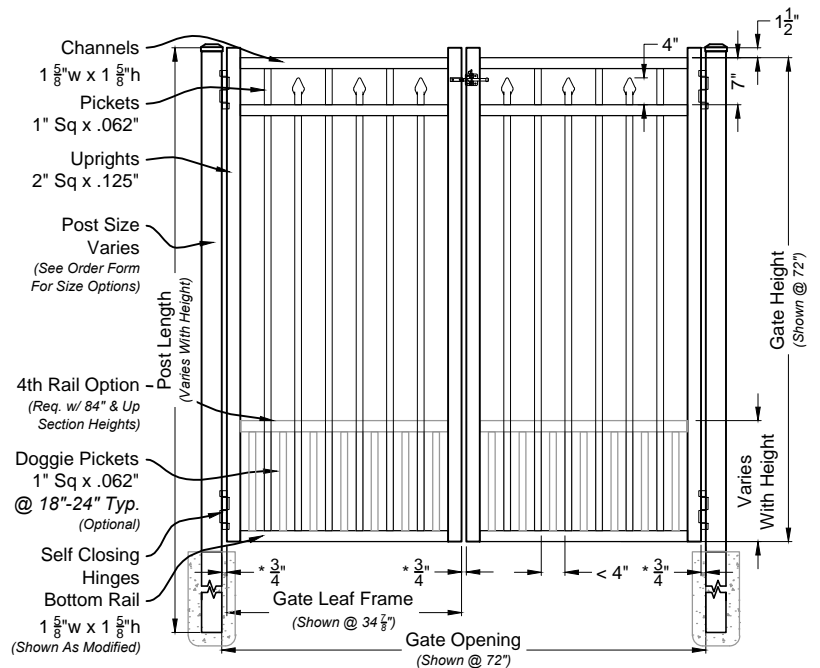
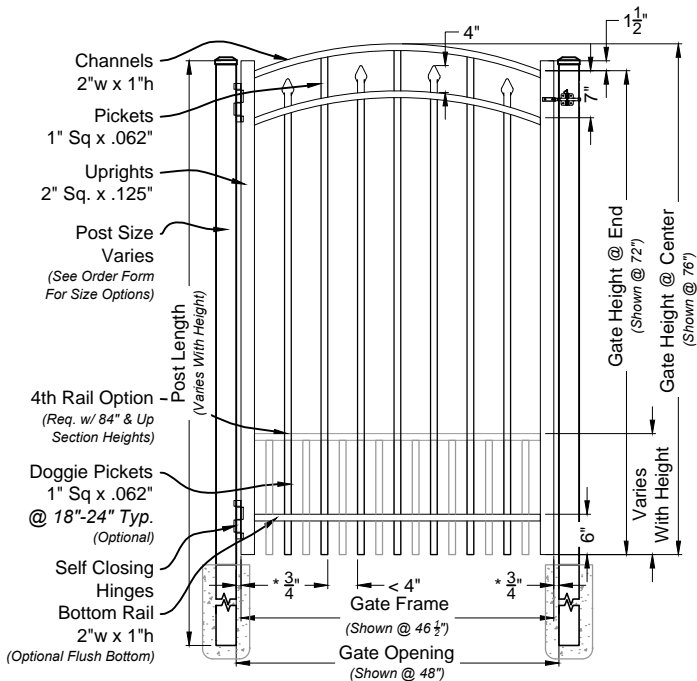


i
01 **Floridian #303 6ft Fence Panel**
Shown As Industrial Series Scale: NTS

Matching Gate Options



i
02 **Floridian Single Walk Gate**
#3033 Arched Rail Option Scale: NTS

i
03 **Floridian Double Walk Gate**
#6303M Straight Rail Option Scale: NTS