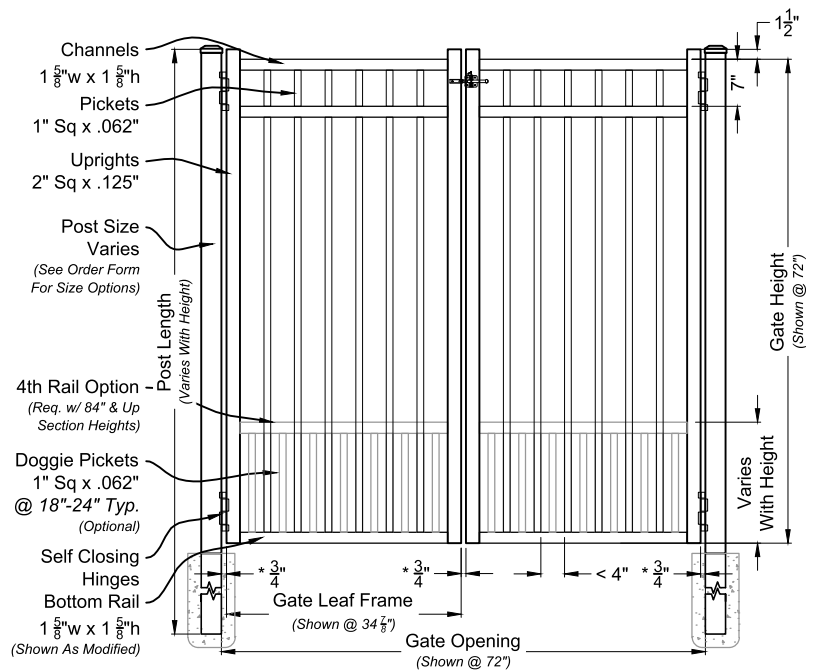
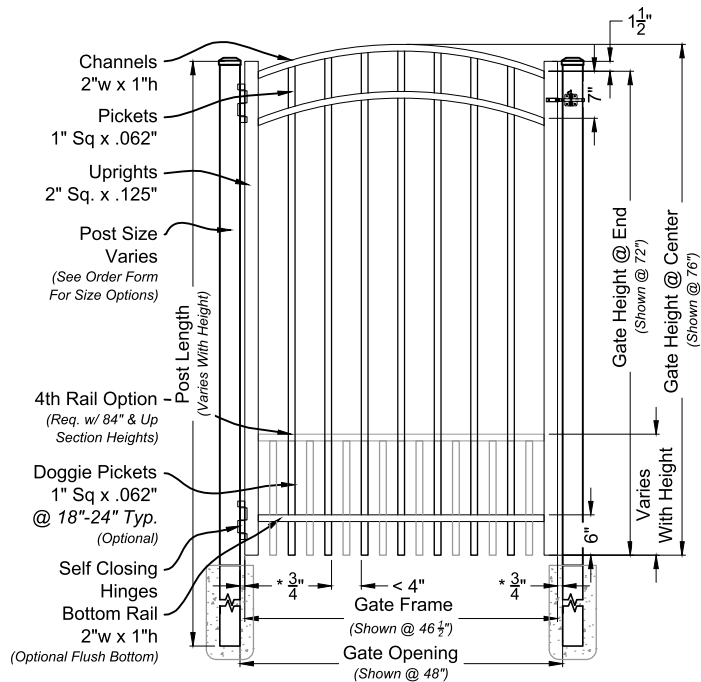


i
01 **Long Islander #300 6ft Fence Panel**
Shown As Industrial Series Scale: NTS

Matching Gate Options



i
02 **Long Islander Single Walk Gate**
#3003 Arched Rail Option Scale: NTS

i
03 **Long Islander Double Walk Gate**
#6300M Straight Rail Option Scale: NTS