

TOLERANCE	TAPE MEASURE ±1/16"	CALIPER ±.010"	DRAWING APPROVED	BOM ENTERED	ALLOY
OVERRIDDEN					COMMENTS

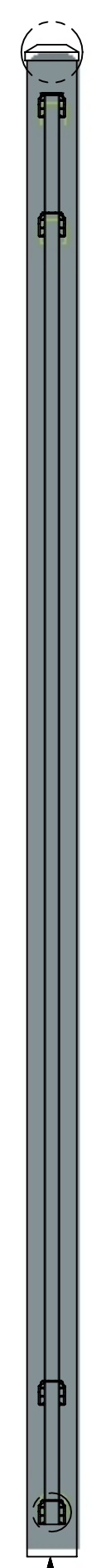
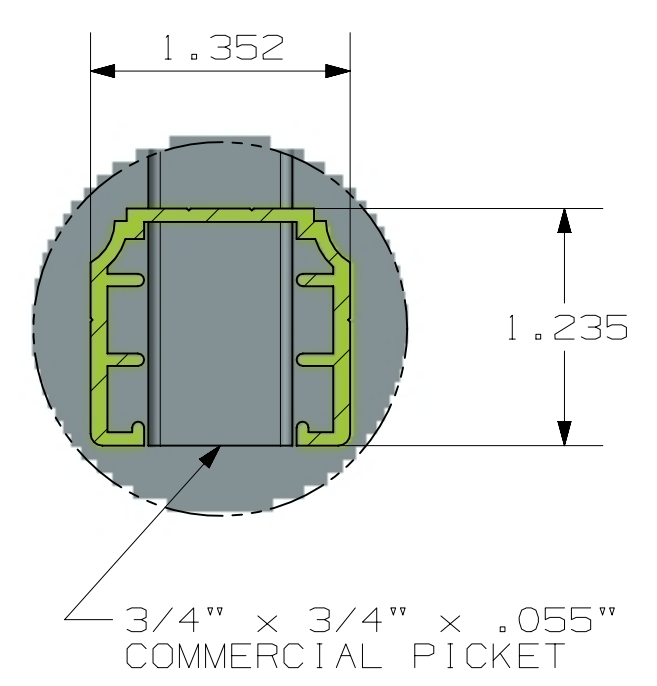
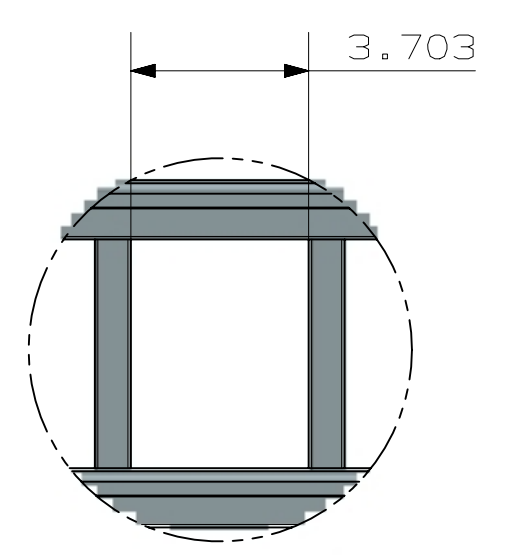
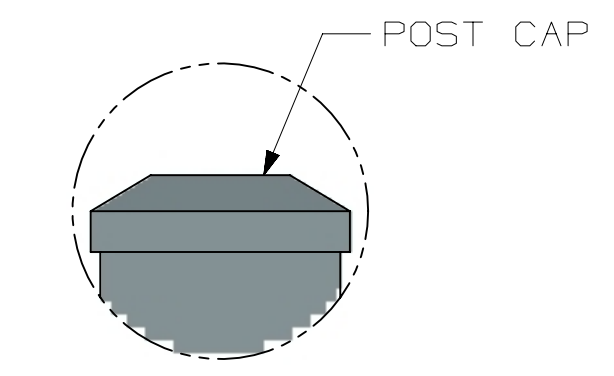
REV	NOTES

Aluminum-Fence.com
 An Outdoor Solutions Company Online Since 1996

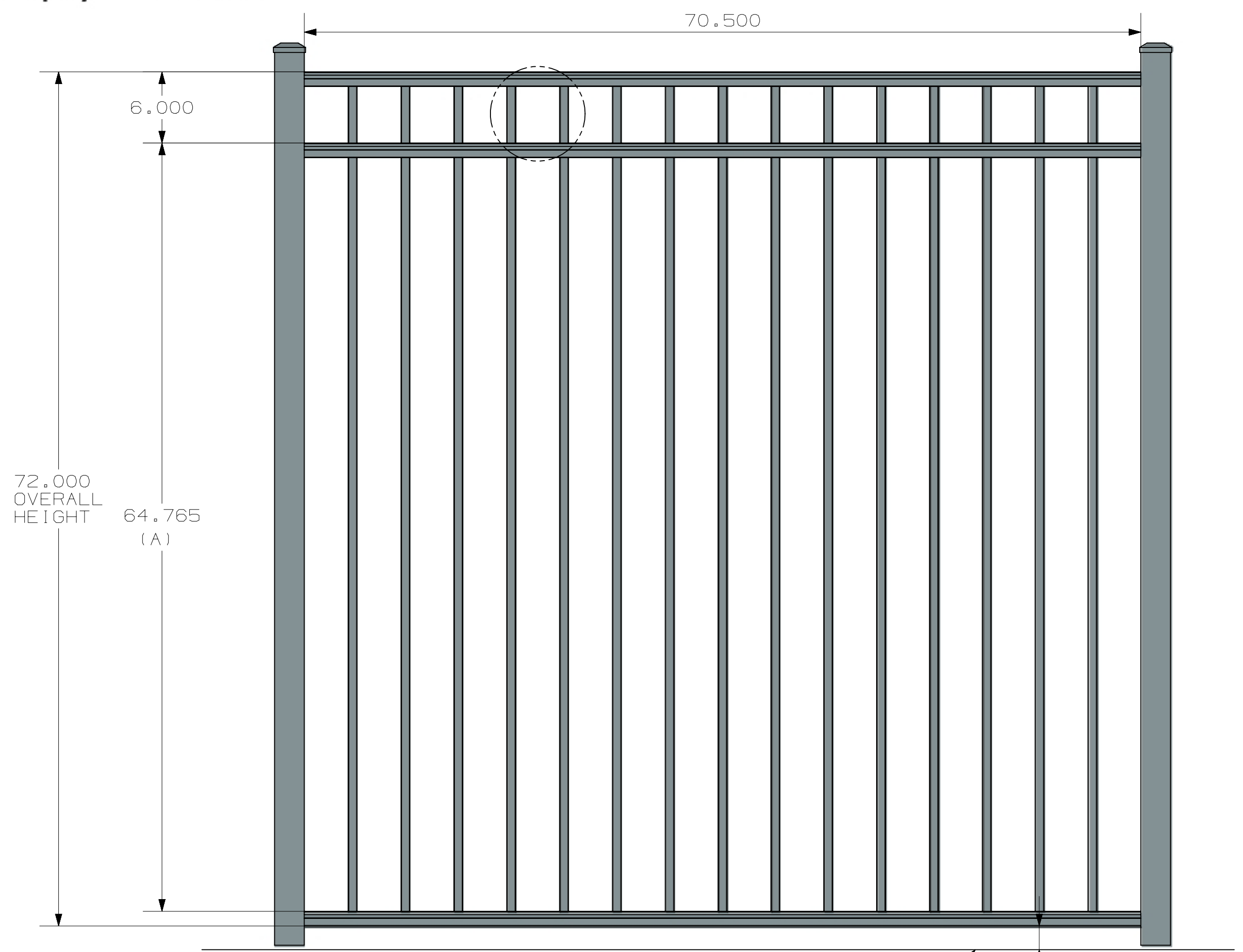
888-348-4695

A
B
C
D
E
F
G
H

A
B
C
D
E
F
G
H



S



72.000
OVERALL
HEIGHT
64.765
(A)

FINISH GRADE 2.000

POST OPTIONS
 2" X 2" X .080" WALL
 2" X 2" X .125" WALL
 2 1/2" X 2 1/2" X .100" WALL
 3" X 3" X .125" WALL

3 RAIL HEIGHT	
HEIGHT	A
3'	28 3/4"
3 1/2'	34 3/4"
4'	40 3/4"
4 1/2'	46 3/4"
5'	52 3/4"
6'	64 3/4"

INSIDE OF POST WIDTH	
NOMINAL	ACTUAL
4'	46.5"
6'	70.5"
8'	94.5"

ULTRA ALUMINUM MANUFACTURING, INC
 2124 GRAND COMMERCE DR. HOWELL, MI 48855
 PHONE (800) 656-4420 FAX (800) 643-7426

	DATE	11-28-2023
	REV	2
	SHEET	1 OF 1

COMMERCIAL
 UAF-200 FLAT TOP
 FLUSH BOTTOM
 3-RAIL

UAF-200 FLAT TOP FLUSH BOTTOM COMMERCIAL 6X6 3 RAIL