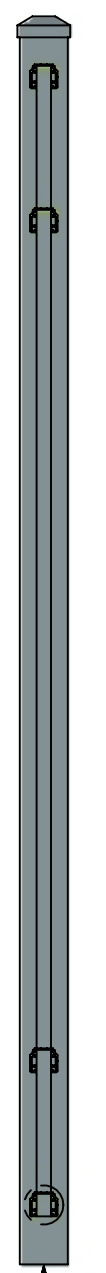
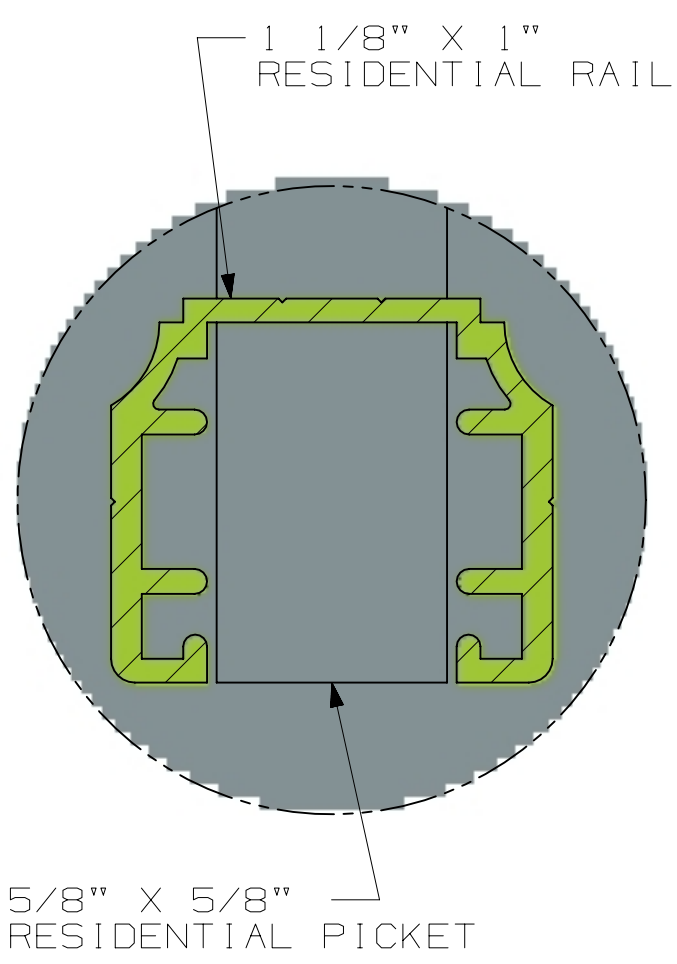
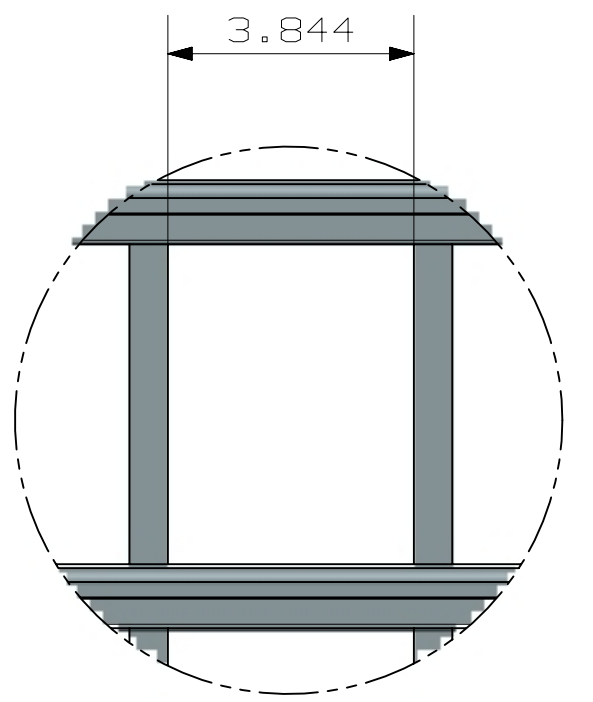


| | | | | | |
|------------|---------------------|----------------|------------------|-------------|----------|
| TOLERANCE | TAPE MEASURE ±1/16" | CALIPER ±.010" | DRAWING APPROVED | BOM ENTERED | ALLOY |
| OVERRIDDEN | | | | | COMMENTS |

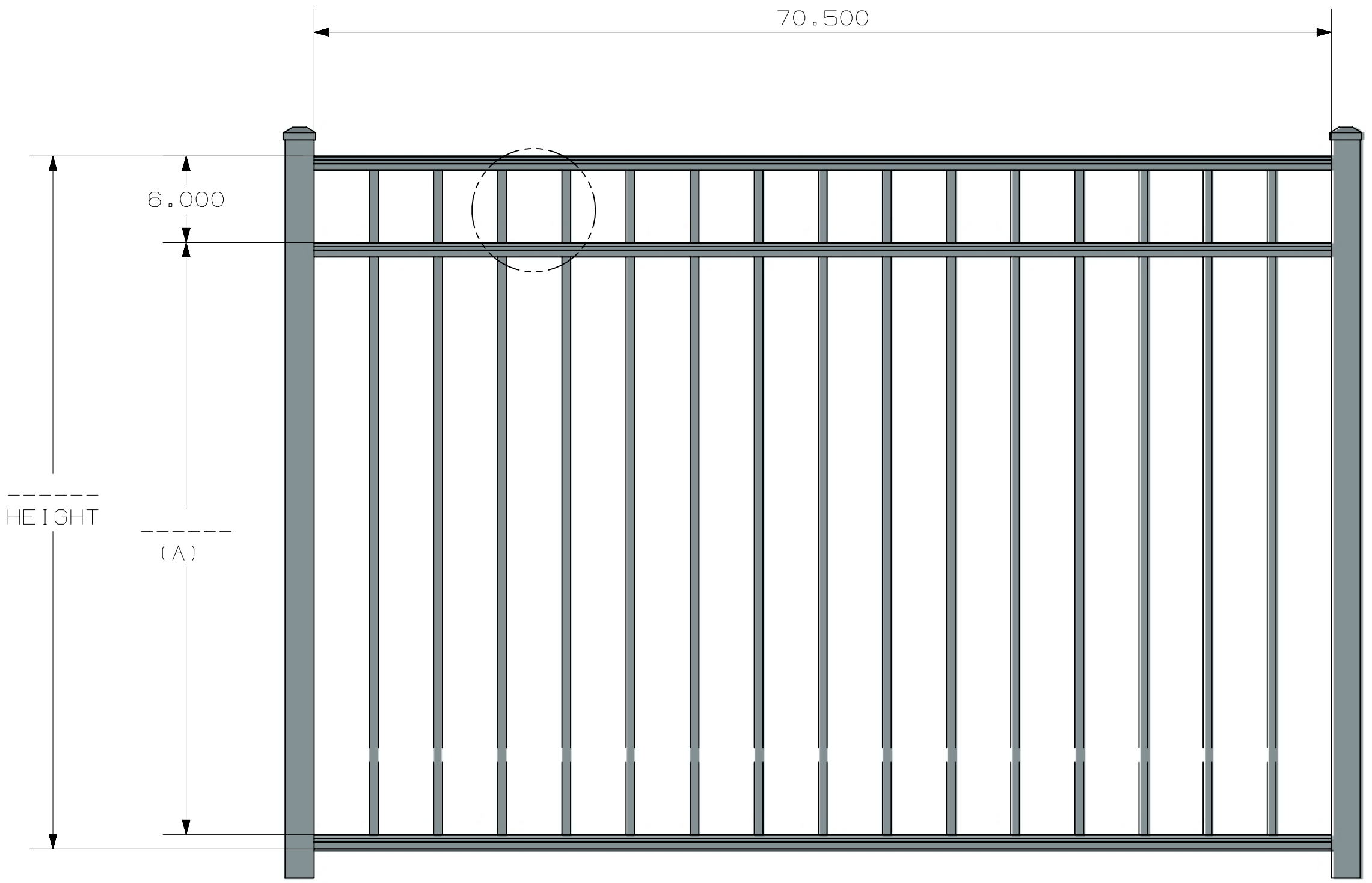
| REV | NOTES |
|-----|-------|
| | |

Aluminum-Fence.com
An Outdoor Solutions Company Online Since 1996

888-348-4695



- POST OPTIONS
 2" x 2" x .060" WALL
 2" x 2" x .080" WALL
 2" x 2" x .125" WALL
 2 1/2" x 2 1/2" x .100" WALL



| HEIGHT | (A) |
|--------|-----|
| 3' | 23" |
| 3 1/2' | 29" |
| 4' | 35" |
| 4 1/2' | 41" |
| 5' | 47" |

| INSIDE OF POST WIDTH | |
|----------------------|----------|
| NOMINAL | ACTUAL |
| 5' | 61.6875" |
| 6' | 70.5" |
| 7' | 83.875" |

ULTRA ALUMINUM MANUFACTURING, INC
 2124 GRAND COMMERCE DR. HOWELL, MI 48855
 PHONE (800) 656-4420 FAX (800) 643-7426

| | | |
|--|-------|------------|
| | DATE | 12-12-2023 |
| | REV | 1 |
| | SHEET | 1 OF 1 |

RESIDENTIAL
 UAF - 200 FLAT TOP
 FLUSH BOTTOM
 3 - RAIL

UAF-200 FLAT TOP FLUSH BOTTOM RESIDENTIAL 6X4 3 RAIL

Signature™

ULTRA®
LOUVERED PRIVACY

ULTRAMAX®

Defender™

ULTRA®
VINYL PRIVACY

Estate Collection

ULTRA®
ALUMINUM PRIVACY

ULTRARACK™