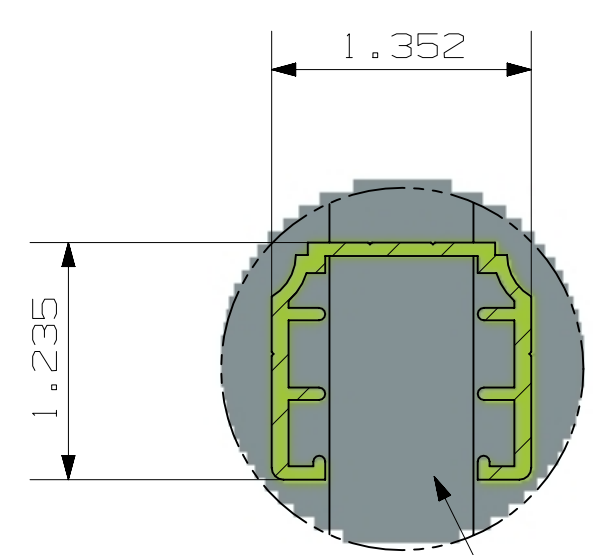
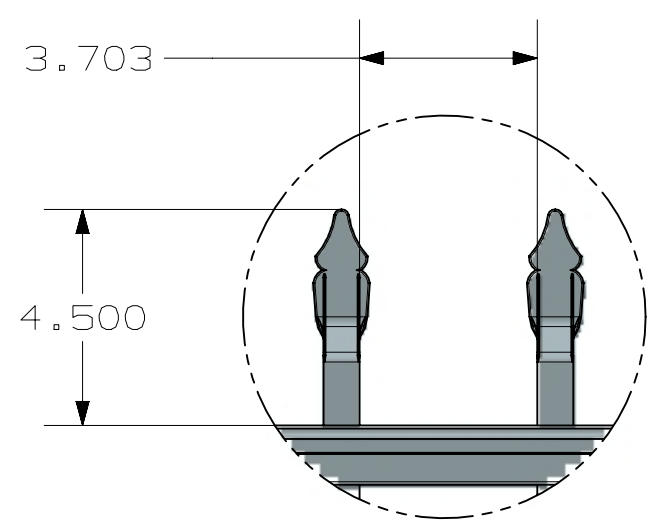
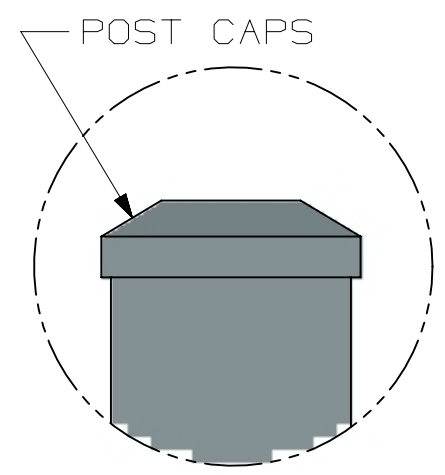


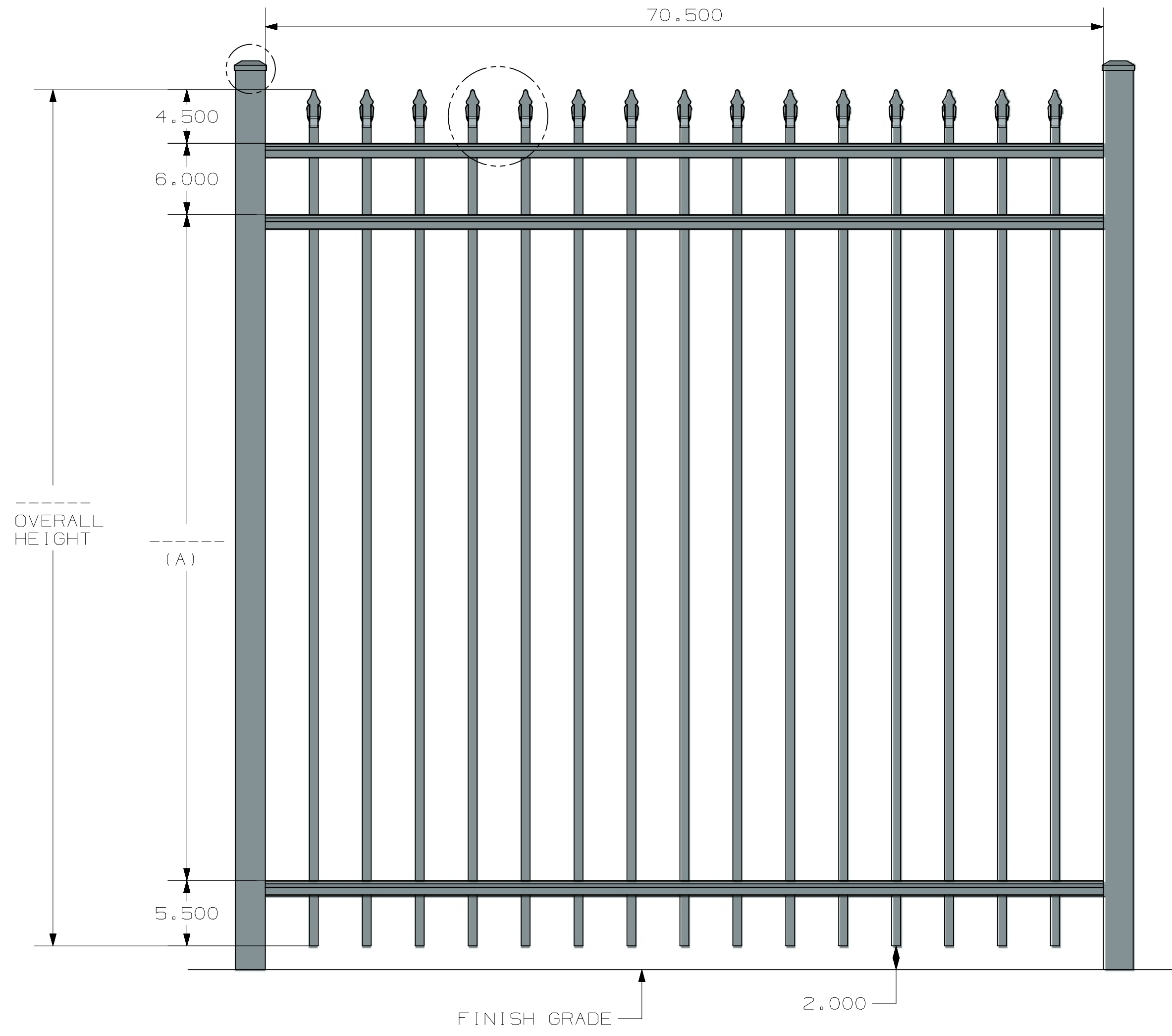
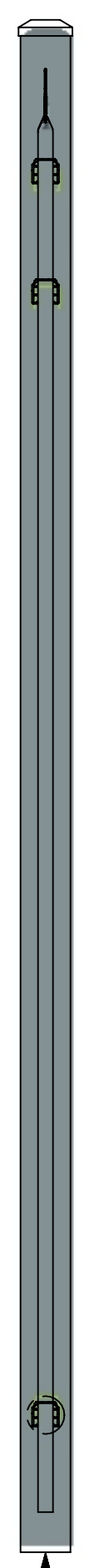
TOLERANCE	TAPE MEASURE ±1/16"	CALIPER ±.010"	DRAWING APPROVED	BOM ENTERED	ALLOY
OVERRIDDEN					COMMENTS

REV	NOTES
-----	-------



3/4" x 3/4" x .055"  
COMMERCIAL PICKET

- POST OPTIONS
- 2" X 2" X .080 WALL
  - 2" X 2" X .125 WALL
  - 2.5" X 2.5" X .100 WALL
  - 3" X 3" X .125 WALL



HEIGHT	A
3'	20"
3 1/2'	26"
4'	32"
4 1/2'	38"
5'	44"
6'	56"

INSIDE OF POST WIDTH	
NOMINAL	ACTUAL
4'	46.5"
6'	70.5"
8'	94.5"

**Aluminum-Fence.com**  
An Outdoor Solutions Company Online Since 1996

**888-348-4695**

ULTRA ALUMINUM MANUFACTURING, INC  
2124 GRAND COMMERCE DR. HOWELL, MI 48855  
PHONE (800) 656-4420 FAX (800) 643-7426

	DATE	12-5-2023
	REV	1
	SHEET	1 OF 1

UAF-100 SPEAR TOP  
STD BOTTOM  
COMMERCIAL SHOP DRAWING  
3-RAIL

UAS-100 STD BOTTOM COMMERCIAL SPEAR TOP 6X6 3 RAIL