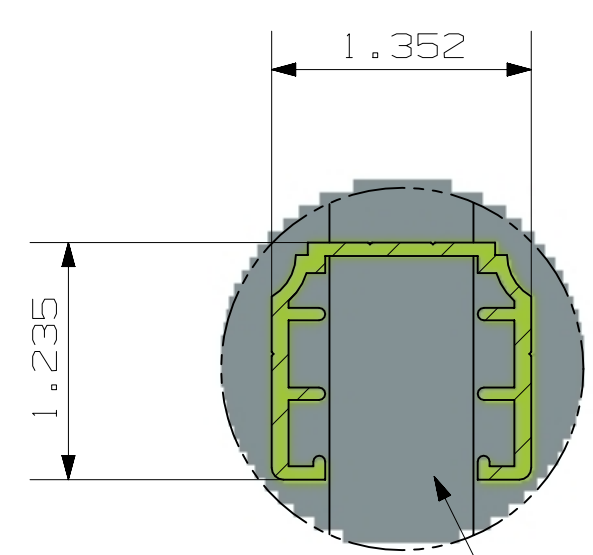
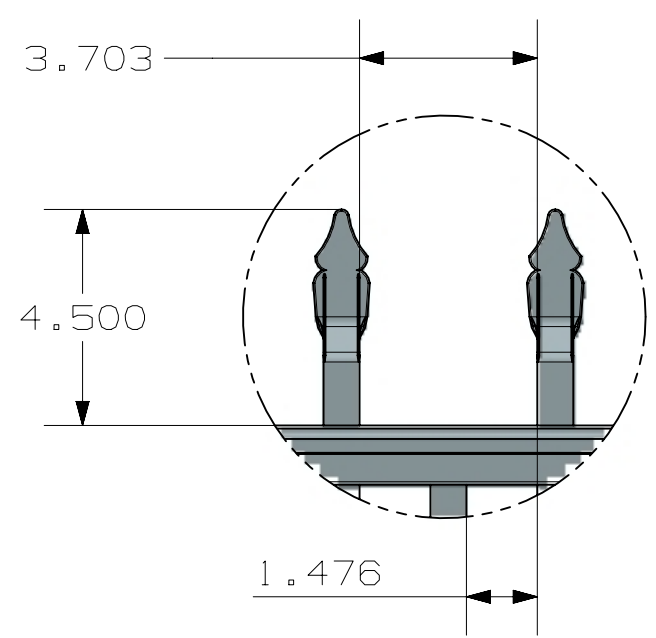
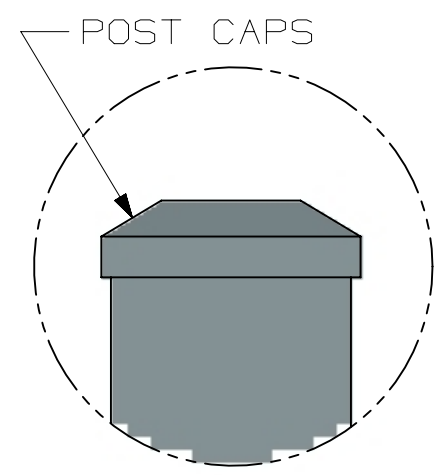


TOLERANCE	TAPE MEASURE ±1/16"	CALIPER ±.010"	DRAWING APPROVED	BOM ENTERED	ALLOY
OVERRIDDEN					COMMENTS

REV	NOTES
-----	-------

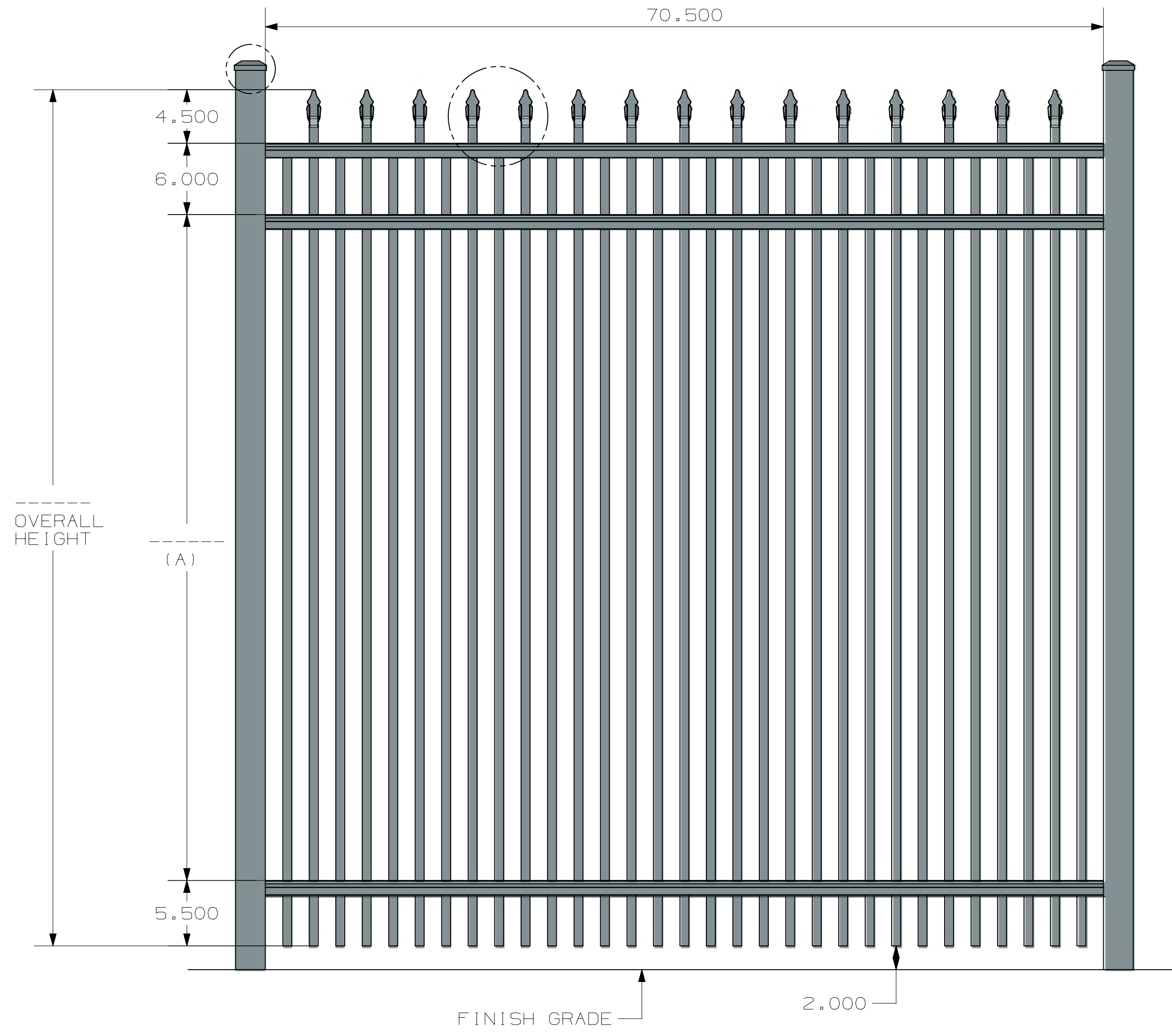
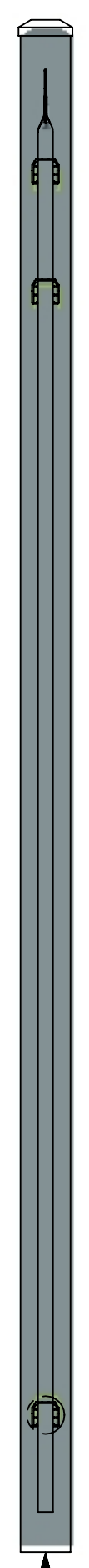


3/4" x 3/4" x .055"
COMMERCIAL PICKET

- POST OPTIONS
- 2" X 2" X .080 WALL
 - 2" X 2" X .125 WALL
 - 2.5" X 2.5" X .100 WALL
 - 3" X 3" X .125 WALL

HEIGHT	A
3'	20"
3 1/2'	26"
4'	32"
4 1/2'	38"
5'	44"
6'	56"

INSIDE OF POST WIDTH	
NOMINAL	ACTUAL
4'	46.5"
6'	70.5"
8'	94.5"



OVERALL HEIGHT

(A)

FINISH GRADE

2.000

ULTRAALUMINUM MANUFACTURING, INC
2124 GRAND COMMERCE DR. HOWELL, MI 48855
PHONE (800) 656-4420 FAX (800) 643-7426

	DATE	12-5-2023
	REV	1
	SHEET	1 OF 1

UAF-101 SPEAR TOP
STD BOTTOM
COMMERCIAL SHOP DRAWING
3-RAIL

UAS-101 STD BOTTOM COMMERCIAL SPEAR TOP 6X6 3 RAIL