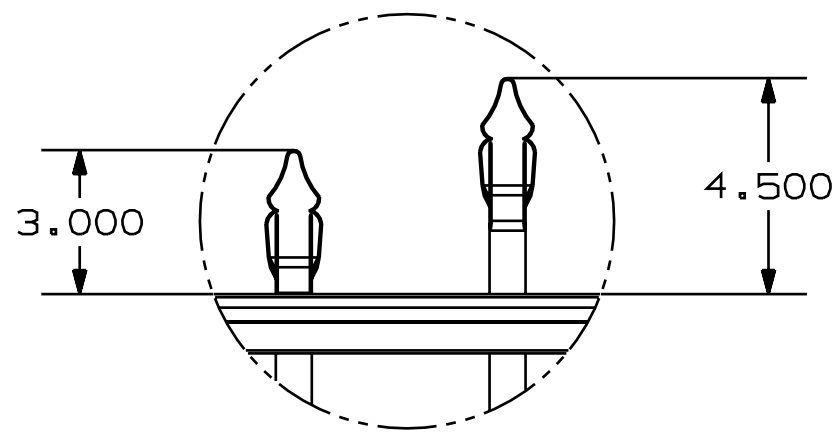
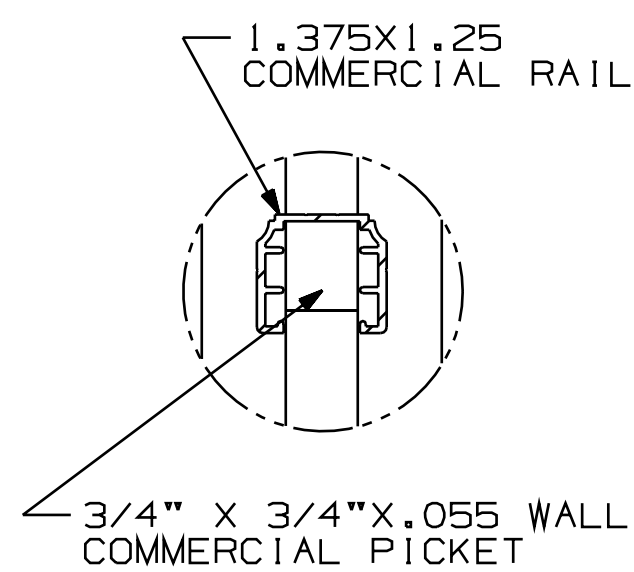


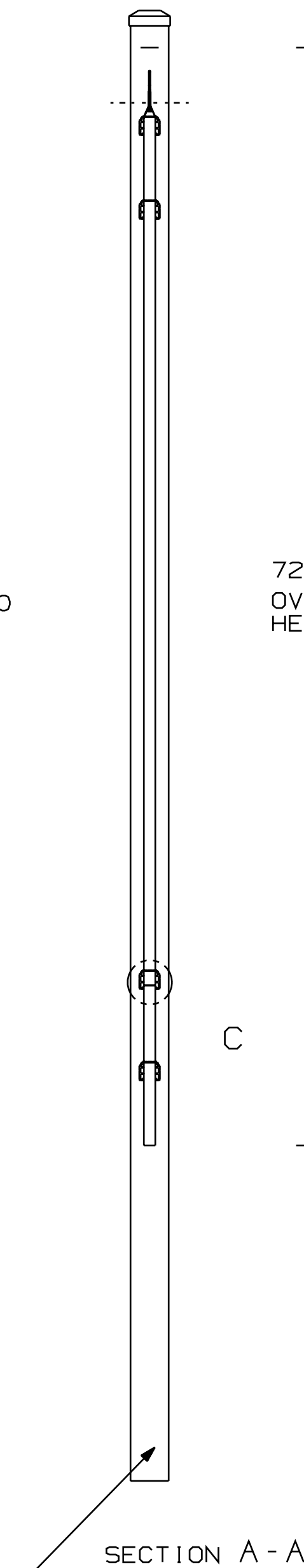
DETAIL B
SCALE 1:2



DETAIL D
SCALE 1:4

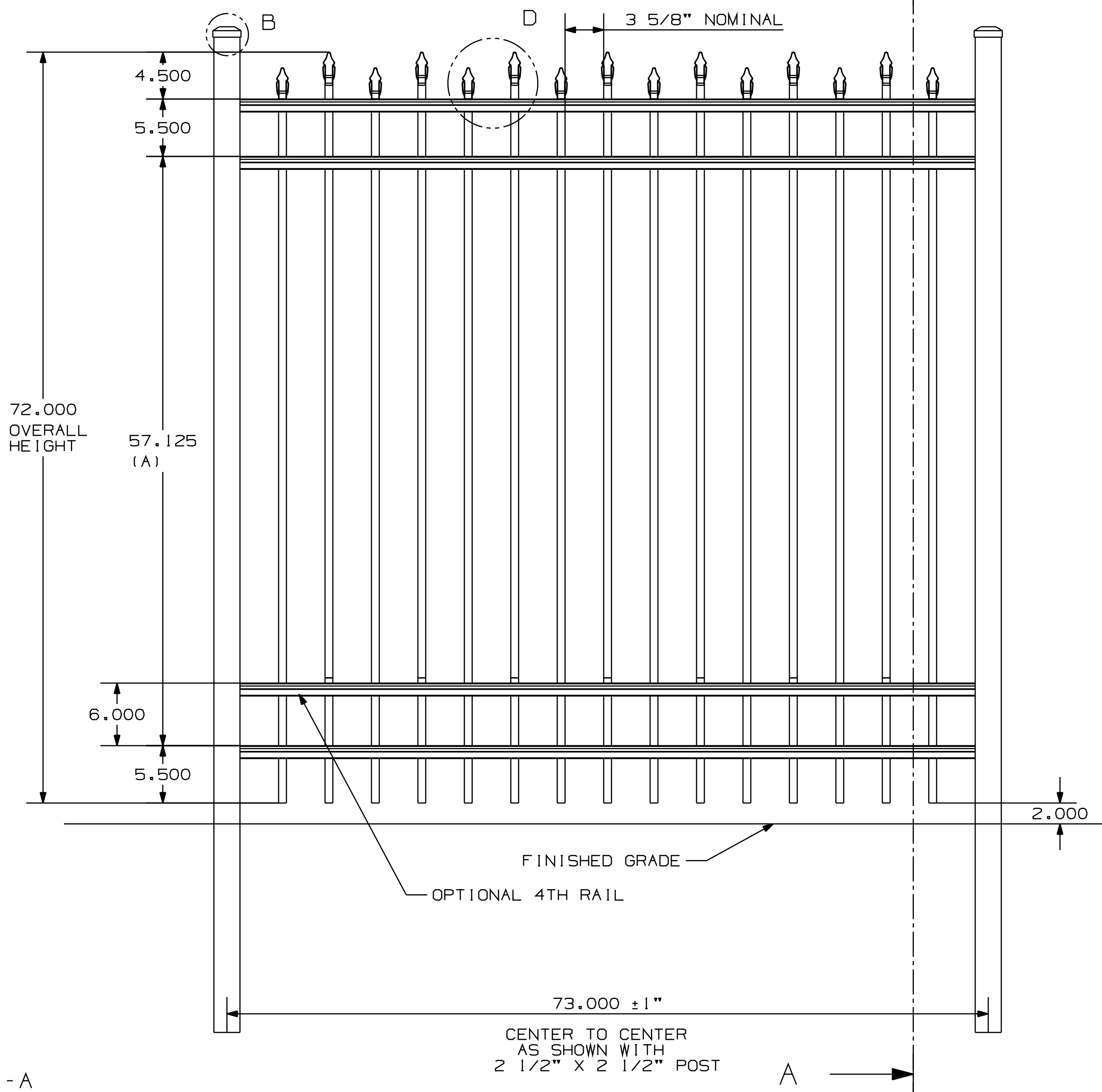


DETAIL C
SCALE 1:2



SECTION A - A

- POST OPTIONS
- 2" X 2" X .080" WALL
 - 2" X 2" X .125" WALL
 - 2 1/2" X 2 1/2" X .100" WALL
 - 3" X 3" X .125" WALL



HEIGHT	A
3'	20
3 1/2'	26
4'	32
4 1/2'	38
5'	44
6'	56

3D CAD MASTER PART NAME:

ALL DIMENSIONS IN INCHES

FIRST ISSUED		TITLE	
DRAWN BY		UAS-150 STAGGERED SPEAR STD BOTTOM COMMERCIAL	
CHECKED BY		SIZE/DRG NO.	
APPROVED BY		C UAS-150 STAGGERED SPEAR STD BOTTOM COMMERCIAL 6x6	
		SCALE 1:1	REV <input checked="" type="checkbox"/>
		SHEET 1 OF 1	

ULTRA ALUMINUM MANUFACTURING, INC.
2124 GRAND COMMERCE DR. HOWELL, MI 48855
PHONE (800) 656-4420 FAX (800) 646-7429

UAS-150 STAGGERED SPEAR
STD BOTTOM
COMMERCIAL

UAS-150 STAGGERED SPEAR STD BOTTOM COMMERCIAL 6x6

SCALE 1:1 SHEET 1 OF 1